

EW1508

SPECIFICATION SHEET

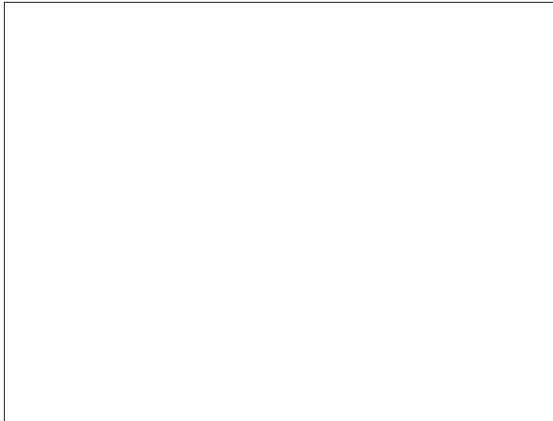
High power exterior rated surface mount for safety and architectural illumination

- Wet location listed
- Die-cast aluminum housing
- Powder coated finishes
- Dimmable with ELV dimmer (Not included)
- 120V

Color Temp 3000K
 CRI (Ra) >80
 Dimming 100% - 10%
 Rated Life 50,000 hours

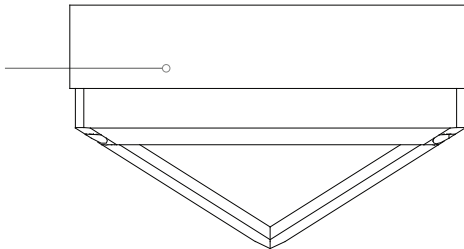
Distribution	Voltage	Watt	LED Lumens	Delivered Lumens	Finish(es)
Down or Out	120V	8W	600	200*	BK / GY

PROJECT	
DATE	TYPE



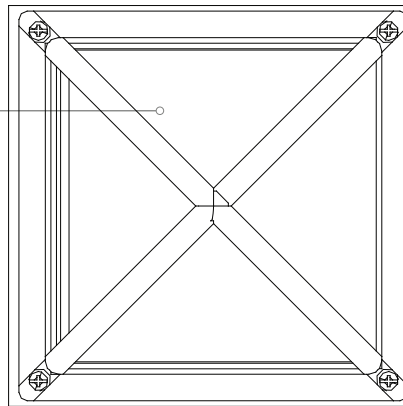
EW1508-BK

Powder Coat Finish
 BK - Black
 GY - Grey



4-1/2"

White Acrylic Diffuser



8-1/2"

8-1/2"

*Subject to testing confirmation



EW1508-BK



EW1508-GY